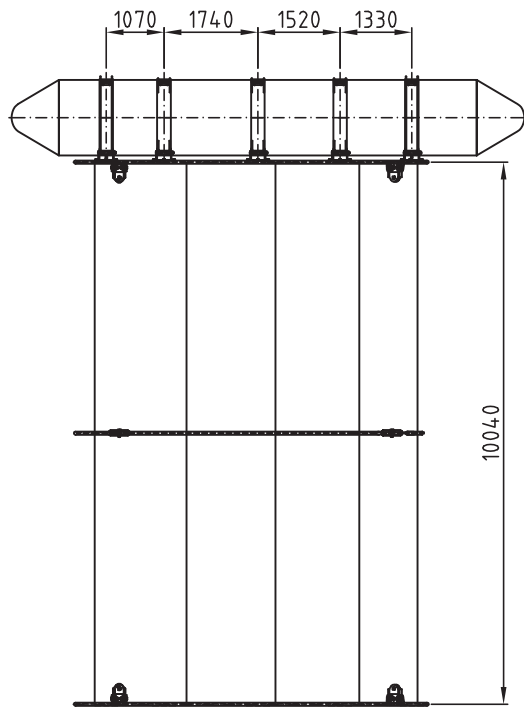


BAROVAN 410 (Estimated)



SIDE VIEW

FRONT



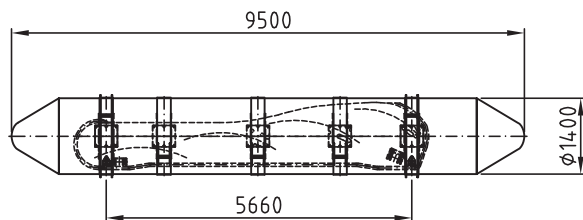
AFT VIEW

APPROX. WEIGHT:

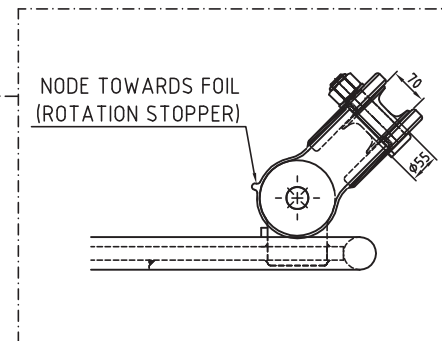
FLOAT:	1950 KG
CLAMPS:	1000 KG
BAROVANE No.410:	8050 KG
TOTAL WEIGHT:	11000 KG

APPROX. BUOYANCY:



TOTAL BUOYANCY :	14000 KG
TOTAL WEIGHT:	11000 KG
SPARE BUOYANCY:	3000 KG



TOP VIEW



According to international laws this drawing/specification is the property of BARO MEK. VERKSTED AS. The drawing/specification and contents can not be made public, copied or otherwise used, without our written consent. BARO MEK. VERKSTED AS N-6092 EGGESBØNES

Date 10.03.08	Drawn OBJ	Checked	Total weight 11000 kg	 Baro Mek. Verksted as. N-6092 Eggesbønes, Norway Tel: +47 70 08 15 50 Fax: +47 70 08 15 51 E-mail: office@baro.no	
Revision Date 11.03.09	Revision by OBJ	Checked	Scale 1:100		
General tolerance	Projection method 				
DIMENSION DRAWING BAROVANE No. 410				Replacing	Replaced by
				3M14430	
Order No.	Part number	Client	Client project no.		