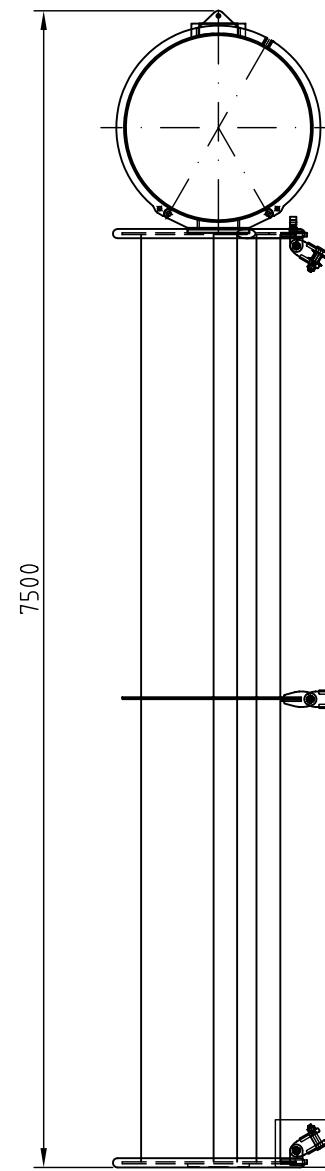
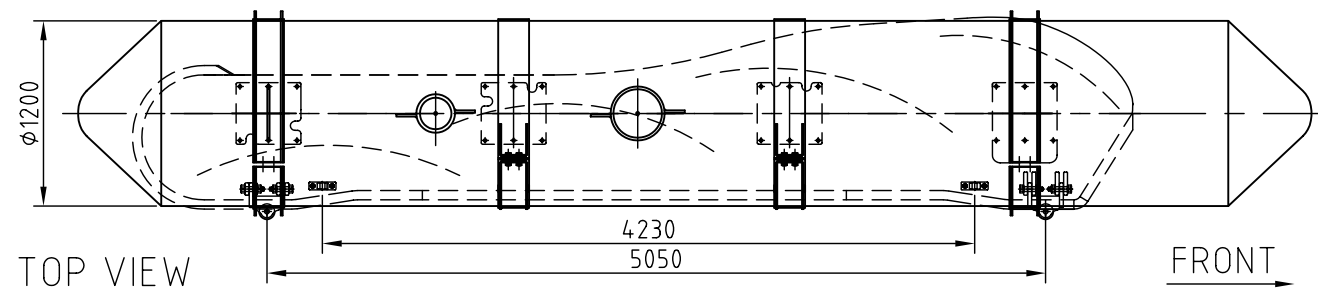


SIDE VIEW

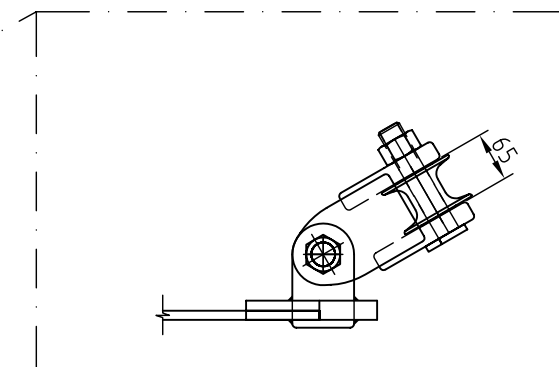


APPROX. WEIGHT:

FLOAT:	1200 KG
CLAMPS:	600 KG
BAROVANE No.46:	4150 KG
<b>TOTAL WEIGHT:</b>	<b>5950 KG</b>

APPROX. BUOYANCY:

TOTAL BUOYANCY :	9500 KG
TOTAL WEIGHT:	5950 KG
<b>SPARE BUOYANCY:</b>	<b>3550 KG</b>



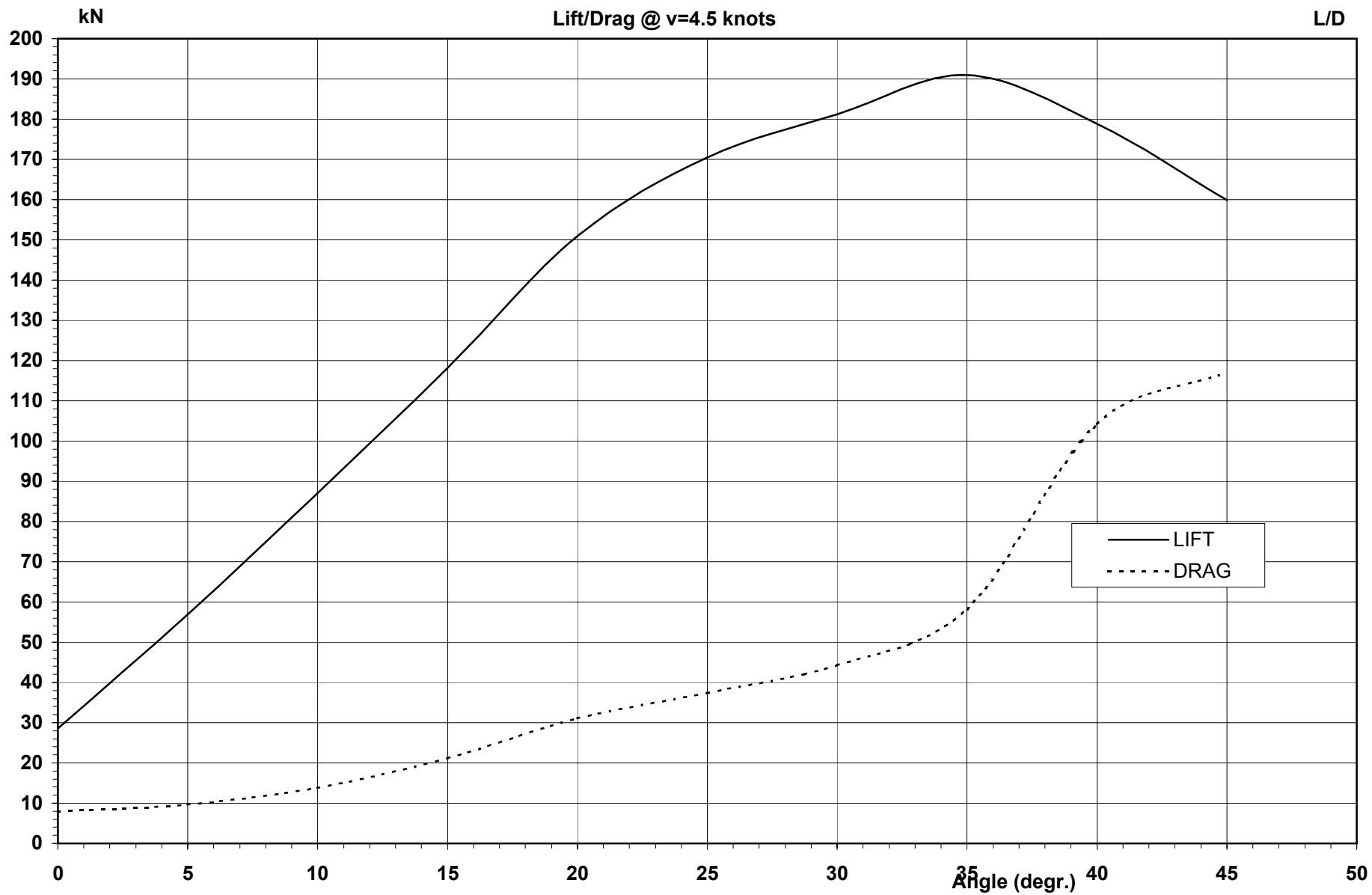
Date	16.06.06	Drawn	GO	Checked		Total weight	5950 kg
Revision Date		Revision by		Checked		Scale	1:50
General tolerance		Projection method					



Baro Mek. Verksted as.  
 N-6092 Eggesbønes, Norway  
 Tel: +47 70 08 15 50  
 Fax: +47 70 08 15 51  
 E-mail: office@baro.no

DIMENSION DRAWING  
 BAROVANE No. 46

Order No.	Part number	Client	Client project no.
Replacing		Replaced by	
		Revision	



BAROVAN 46 (Model datas)